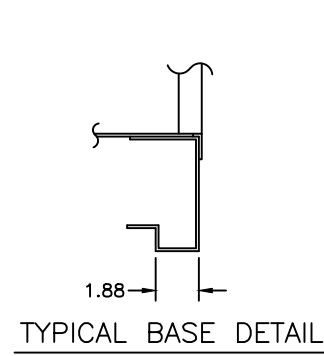
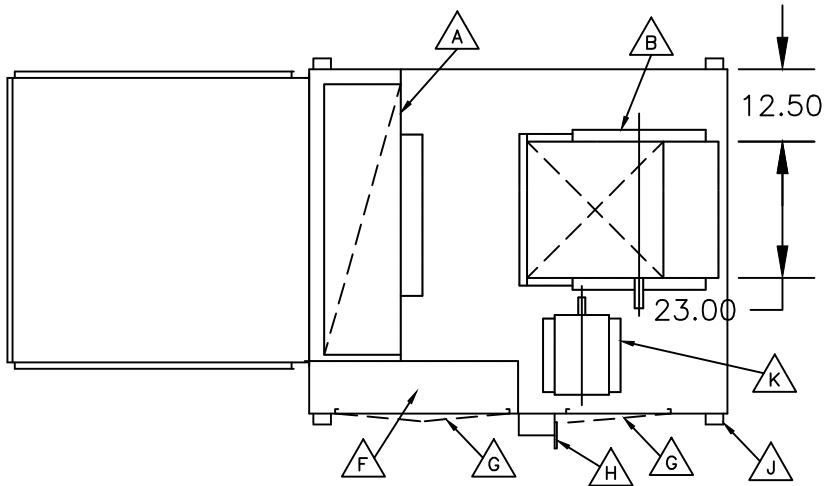


RECIRC UNIT ROOF INSTALLATION WITH DUCTED 3-WAY DIFFUSER AND DUCTED RETURN AIR



- △ A RCS BURNER PROFILE
- △ B FC DWDI BLOWERS
- △ C LIFT-OFF INTAKE FILTER SERVICE DOOR
- △ D DAMPER MOTOR
- △ E GAS CONNECTION
- △ F ELEC/MANIFOLD CONTROLS VESTIBULE
- △ G HINGED SERVICE DOOR
- △ H MAIN DISCONNECT SWITCH
- △ J LIFTING LUG (4-PLACES)
- △ K SUPPLY FAN BLOWER MOTOR
- △ L STANDARD FRESH AIR INTAKE HOOD HOOD/FILTER COMBINATION (FILTERS SUPPLIED ONLY WHEN ORDERED)
- △ M ROOF CURB
- △ P FRESH AIR INTAKE OPENING
- △ R RETURN AIR INTAKE OPENING
- △ S DISCHARGE DAMPER
- △ T 3-WAY DISCHARGE DIFFUSER

